

e912S

Boundary layer microphone

FEATURES

- Very unobtrusive due to flat design
- Optimized for picking up speech at relatively short distances
- Programmable membrane switch
- Mounting slots for mounting the microphone to table tops, lecterns, etc.
- Extremely rugged sound inlet basket
- Gold-plated XLR connector

The e 912 S is a high-quality, pre-polarised condenser microphone with half-cardioid pick-up pattern, acoustically optimized for picking up speech. Due to its unobtrusive, flat design, it is ideally suited for use on conference tables, altars and lecterns. The e 912 S can be switched on and off via an integrated membrane switch.



ARCHITECT'S SPECIFICATIONS

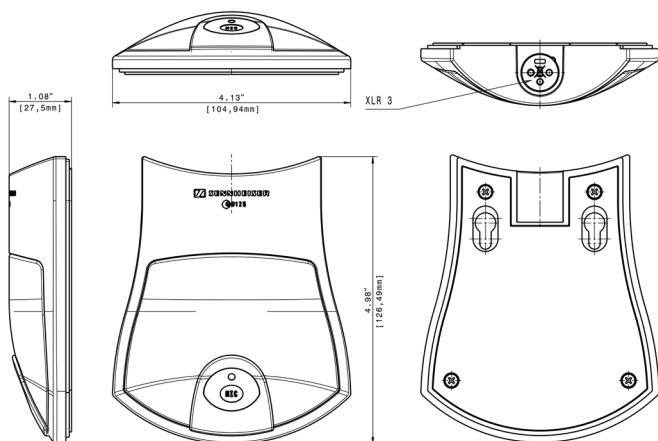
The microphone shall be a pre-polarized condenser designed boundary layer microphone. It shall feature a half-cardioid polar pattern. It shall have a frequency response of 20 Hz to 20,000 Hz and be capable of handling sound input levels up to 134 dBspl. Nominal equivalent noise level shall be 26 dBA (37 dB weighted as per CCIR 468-3). Output shall be low impedance balanced (<100 ohms). Operating temperature shall be 32° to 104° F (0° to 40° C). The microphone shall operate from an external 12V to 48V DC phantom power source; current consumption shall be 2,8 mA. The microphone shall include a programmable membrane switch, offering different modes of microphone activation including push-to-talk, push-to-mute, on-off and permanent on. A LED on the front shall indicate the activity of the microphone. The microphone shall be a boundary layer design with a width of 4.13" (105 mm), height of 1,04" (26,5 mm) and depth of 4,98" (126,5 mm). The microphone weight shall be 17,7 oz (550 grams). Finish shall be matte black. The microphone shall be Sennheiser e912S.

TECHNICAL DATA

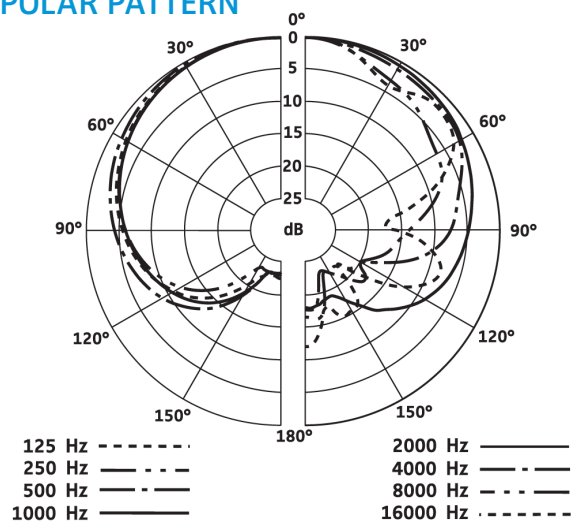
Transducer principle	pre-polarised condenser microphone
Directivity	half-cardioid
Frequency response	20 Hz - 20 kHz
Sensitivity (at 1kHz)	6 mV/Pa
Impedance	< 100 Ohms
Max. sound pressure level	134 dB SPL
Equivalent noise level	26 dB(A)
Equivalent noise level as per CCIR 468-3	37 dB
Phantom powering	P48
Current consumption	2,8 mA
Connection	XLR 3
Weight	550g / 17,7oz.
Dimensions (W x H x D)	105 x 26,5 x 126,5 mm 4,13" x 1,04" x 4,98"
Delivery includes	1 e912S Pouch Manual

e912S Boundary layer microphone

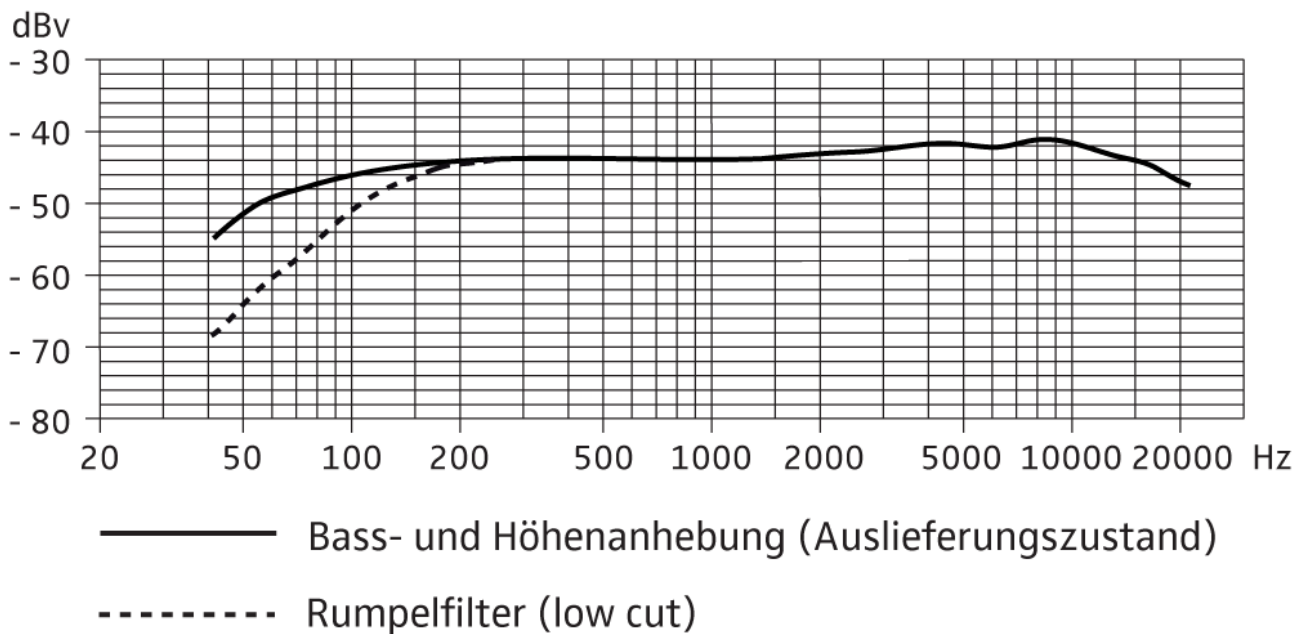
DIMENSIONS



POLAR PATTERN



FREQUENCY RESPONSE



PRODUCT VARIANTS

e912S BK Cat. No. 500875
 e912S WH Cat. No. 500876

RECOMMENDED ACCESSORIES

Sennheiser electronic GmbH & Co. KG
 Am Labor 1, 30900 Wedemark, Germany
 www.sennheiser.com

